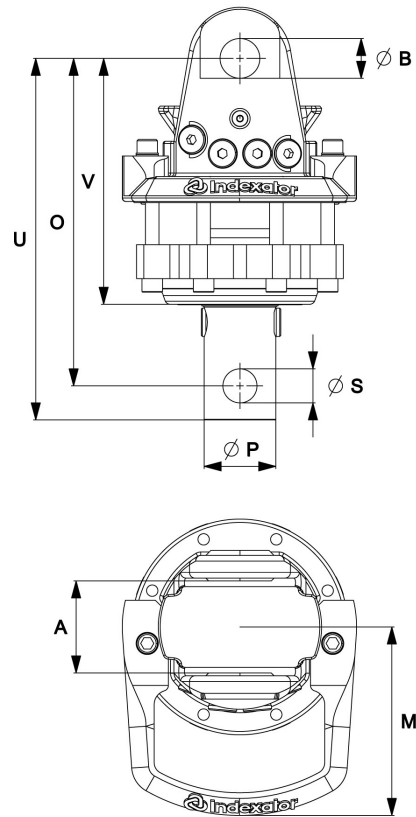
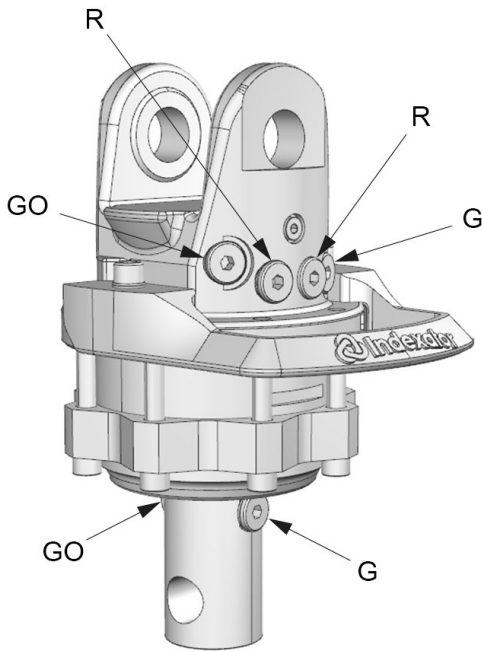


# GV 4E -63/30

Part No.: 5002638



Upper connection	Lower connection
G 3/8	G 3/8

A: 80,5 mm	B: Ø35 mm	M: 166 mm	O: 288 mm	P: Ø63 mm	S: Ø30 mm	U: 318 mm	V: 217 mm
---------------	--------------	--------------	--------------	--------------	--------------	--------------	--------------

		Max 	Max 		Max 	Max 	Max 	Max 
25.8 kg	360°	45 kN	25 kN	1150 Nm	12 l/min	25 MPa	30 MPa	30 MPa

Adapter sets are available for alternative connections.

For further technical information relating to integration and hydraulic connections, please contact [rotator@indexator.com](mailto:rotator@indexator.com)