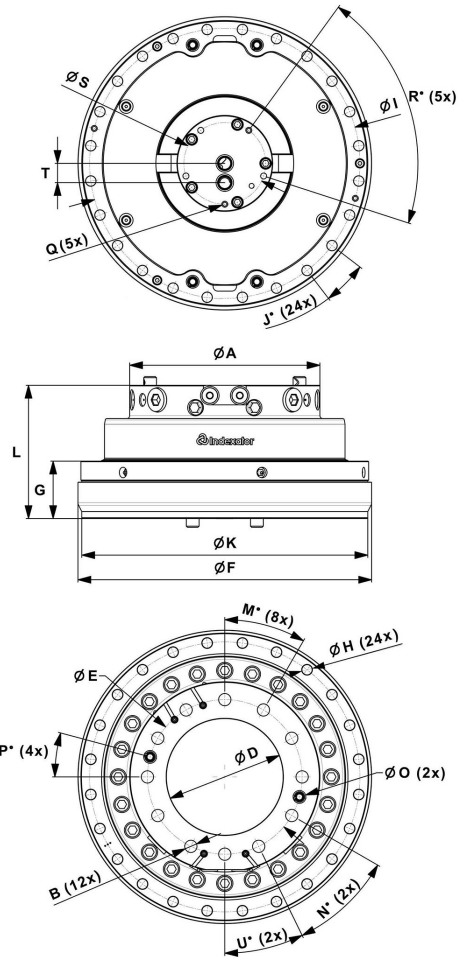
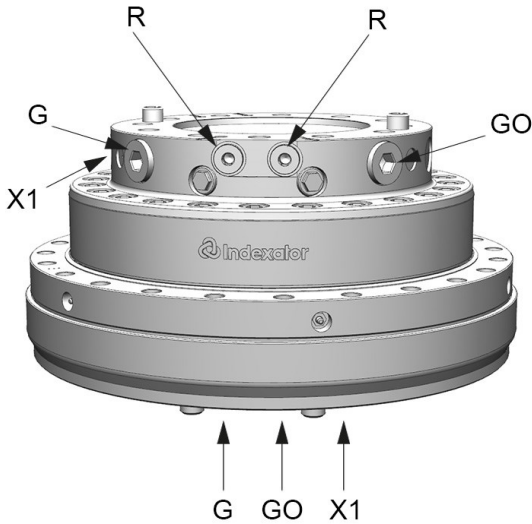


XR 500 C HPL

Part No.: 8500003

- Central lubrication



Upper

X1:	G GO:	R:
M10 x 1,0	G 1	G 1/2

A:	B:	C:	D:	E:	F:	G:	H:	I:	J:	K:	L:	M:	N:
Ø326 mm	M24	37 mm	Ø200 mm	Ø265 mm	Ø503 mm	98,5 mm	Ø17,5 mm	Ø463 mm	15°	Ø490 mm	228,5 mm	30°	34°
O:	P:	Q:	R:	S:	T:	U:							
Ø22 mm	15°	M12	72°	Ø140 mm	33 mm	26°							

		Max	Max	Max		Max	Max	Max	Max	Max
216 kg	360°	±700 kN	±250 kN	±180 kN	7000 Nm	40 l/min	25 MPa	35 MPa	35 MPa	40 MPa

Oil distributor ordered separately

Pressure limiting valves fitted.

For further technical information relating to integration and hydraulic connections, please contact rotator@indexator.com