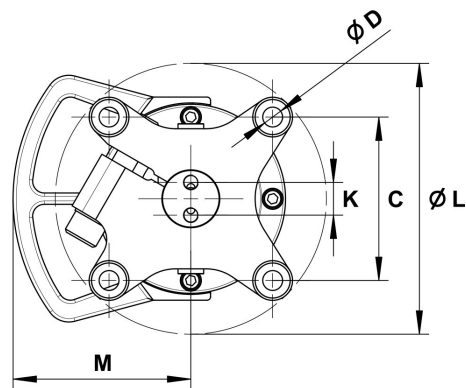
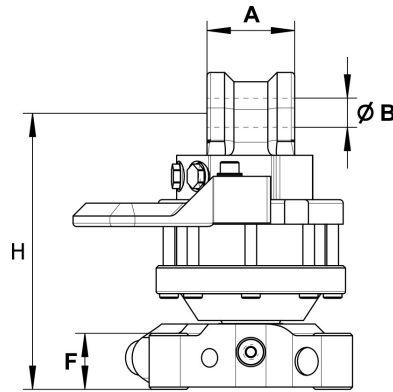
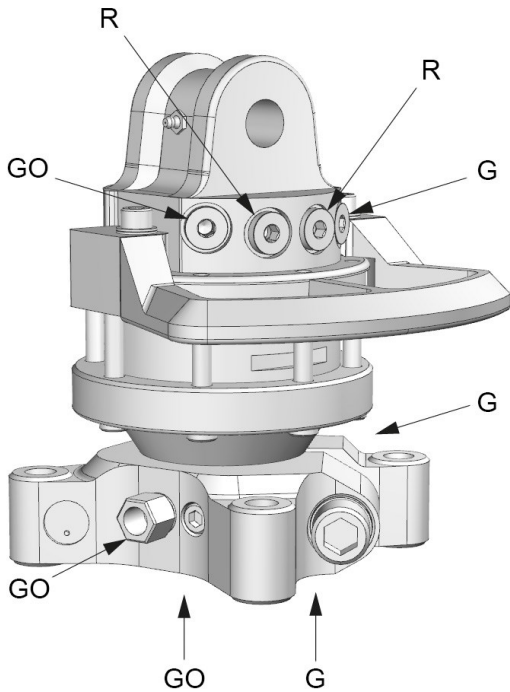











GV 3 K

Part No.: 5002327



Upper connection	Lower connection
G 3/8	G 1/4

A: 75 mm	B: Ø25 mm	C: 140x140	D: Ø17 mm	F: 48 mm	H: 237 mm	K: 28 mm	L: Ø232 mm	M: 152 mm
-------------	--------------	---------------	--------------	-------------	--------------	-------------	---------------	--------------

 23.8 kg	 360°	Max  30 kN ¹	Max  12.5 kN	 950 Nm	Max  10 l/min	Max  25 MPa	Max  20 MPa ²	Max  30 MPa
--	---	--	---	---	--	--	---	--

¹ 40 kN when mounted to a piece goods crane.

² 25 MPa when mounted to a piece goods crane.

K = 140×140 mm lower hole pattern.

Adapter sets are available for alternative connections.

For further technical information relating to integration and hydraulic connections, please contact rotator@indexator.com