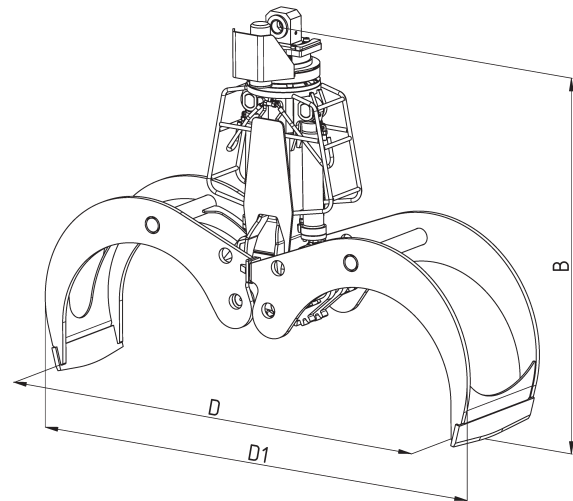
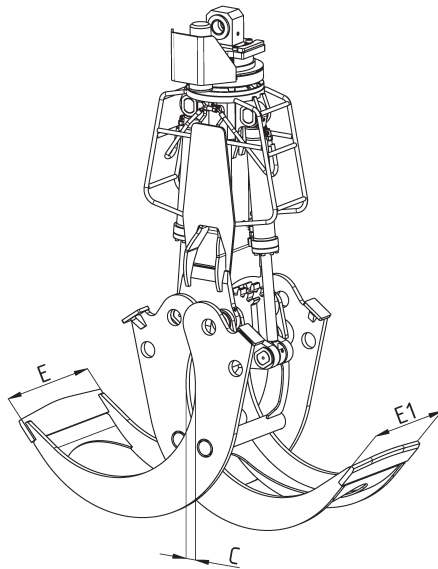
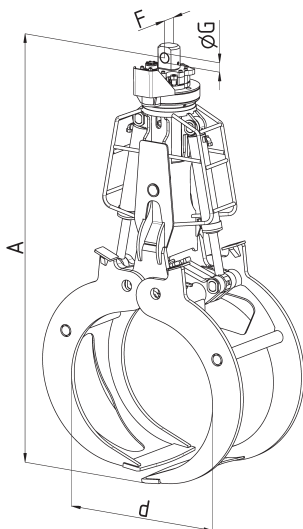


Series|TG4.6

Excavator weight class: up to 35 t
Wood loading grab



Type	Capacity (m ²)	Weight (kg)	Width (mm) E / E1	max. log length (m)	Dimensions (mm)							
					A	B	C	d	D	D1	F	G
TG4.6-800-B	0.8	1400	840/700	8	2880	2215	50	1010	2380	2565	114	70
TG4.6-1000-B	1.0	1480	840/700	8	2950	2265	90	1150	2540	2745	114	70
TG4.6-1250-B	1.25	1530	840/700	6	3080	2310	110	1260	2765	3000	114	70
TG4.6-1500-B	1.5	1540	840/700	6	3200	2350	125	1380	2990	3230	114	70
TG4.6-1750-B	1.75	1715	840/700	4	3310	2400	150	1500	3190	3450	114	70
TG4.6-2000-B	2.0	1915	840/700	3	3435	2435	240	1660	3390	3665	114	70



Technical specifications|TG4.6

Excavator weight class	t	up to 35
Max. grab load bearing capacity	t	Grab: 6 / slewing gear: 15
Max. operating pressure	bar	350 (grab function) / 140 (turning function)
Max. speed	RPM	12



|Use: Mobile and chain excavators

Orange peel grab for logs and round timber. Due to the shape of the tines, the TG4.6 wood grab can easily pick up one or more logs of different diameter from the ground, a stack or truck and confidently hold and handle them.



|Design features

- Continuously rotatable hydraulic slewing gear
- Entire grip made of high-strength Welldox 700, base edges (HB 500)
- Hydraulic cylinder with dampened end position
- Hose protective plate for the hydraulic connections on the slewing gear
- Ram protection for the cylinder hydraulics
- Clamshell shape B (box) – Vertical inner claws

|Available accessories and equipment

- Hose set and mounting for all known excavator manufacturers
- Load hooks
- Cylinder protective cover
- HD version with reinforced slewing gear
- Customized and special shells according to customer specifications such as W-shaped shell (railcar unloading) – vertical outer claws
- Additional special equipment upon request