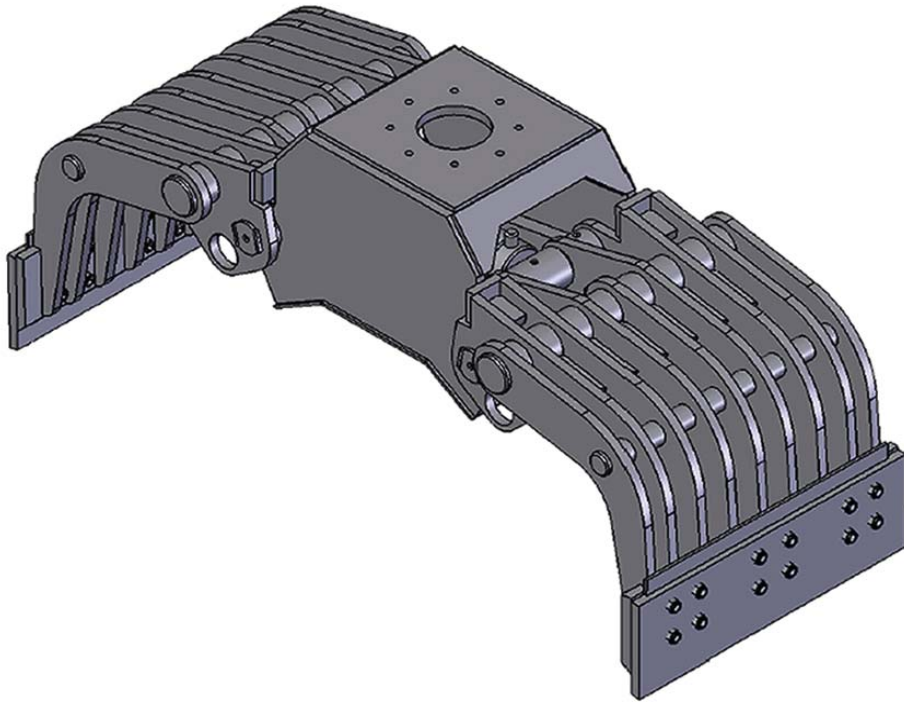
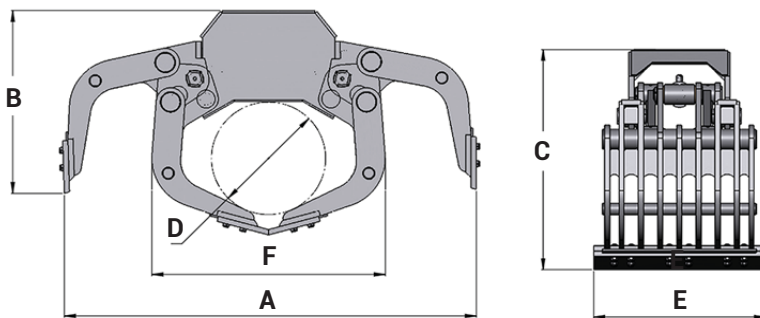


# TIGERGRIP | TG 15 DG - 20 DGW



## KEY FEATURES

- Heavy duty
- Double guide bars
- High pressure cylinder with double piston rod seals
- High tensile wear resistant steel (400 HB)
- Extra reinforced body for rigid mounting - Excavator design
- Self lubricating bushings (not DS-Grab 1 and 1,5)
- Reversible cutting edges
- High tensile wear resistant steel cutting edges (500 HB)
- Pilot operated check valve



	TG 15 DG	TG 18 DG	TG 20 DG	TG 20 DGW
A	1154	1430	1556	1556
B	535	632	737	737
C	661	745	897	897
D	315	370	430	430
E	390	532	532	680
F	650	847	882	882

## MODEL SPECIFICATIONS



Model	Kg	m <sup>2</sup>	Bar	l/min	kN	ton
TG 15 DG	190	0.14	250	60	17.5	3-6
TG 18 DG	358	0.18	250	60	18.5	5-8
TG 20 DG	495	0.20	320	60	33	7-11
TG 20 DGW	650	0.20	320	60	33	8-13

# INTERMERCATO

High performance lift and load attachments for Forestry, Transport, Construction and Recycling.

