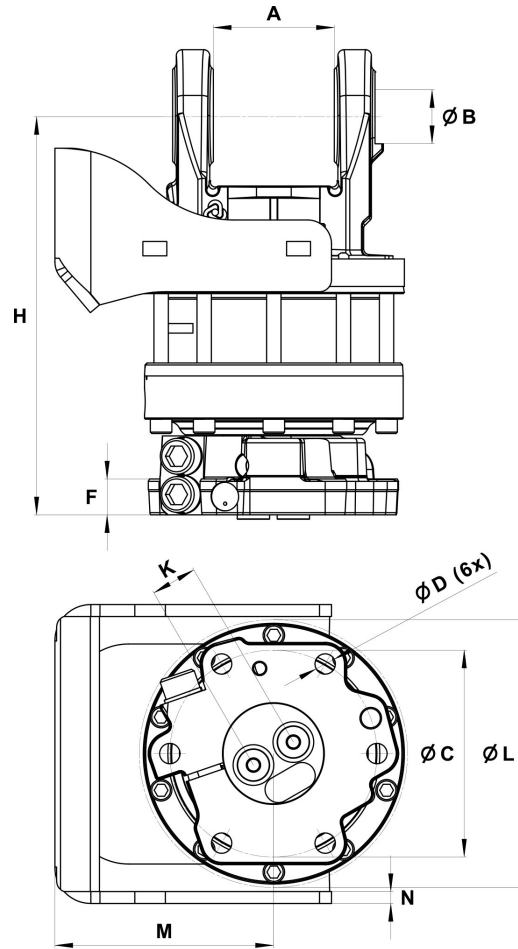
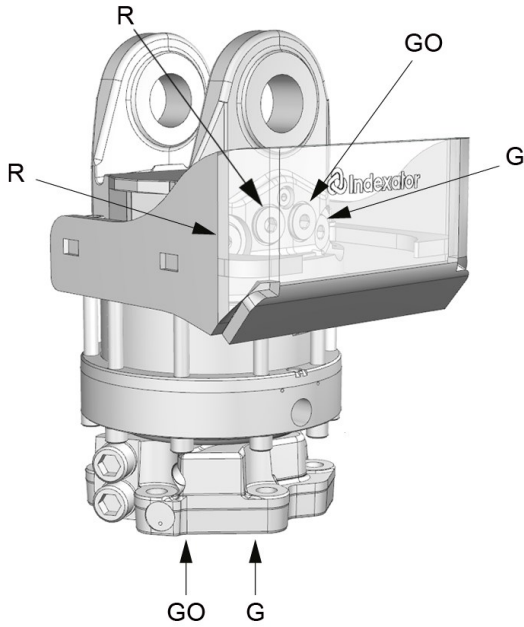


# GV 12S A Y HD

Part No.: 5120002

- Protected Hose Routing



Upper connection	Lower connection
G 1/2	G 1/2

A: 101 mm	B: Ø45 mm	C: Ø173 mm	D: Ø17 mm	F: 30 mm	H: 333 mm	K: 38,5 mm	L: Ø229 mm	M: 179 mm	N: 10 mm
--------------	--------------	---------------	--------------	-------------	--------------	---------------	---------------	--------------	-------------

		Max 	Max 		Max 	Max 	Max 	Max 
62 kg	360°	100 kN	50 kN	2200 Nm	25 l/min	25 MPa	25 MPa	25 MPa

Rotator with only axial connections for a grapple function.

Rotators with the term HD has a hose guard with extra thick material (10 mm), compared to rotators designated with Y or Y XL (6 mm).

Adapter sets are available for alternative connections.

For further technical information relating to integration and hydraulic connections, please contact [rotator@indexator.com](mailto:rotator@indexator.com)