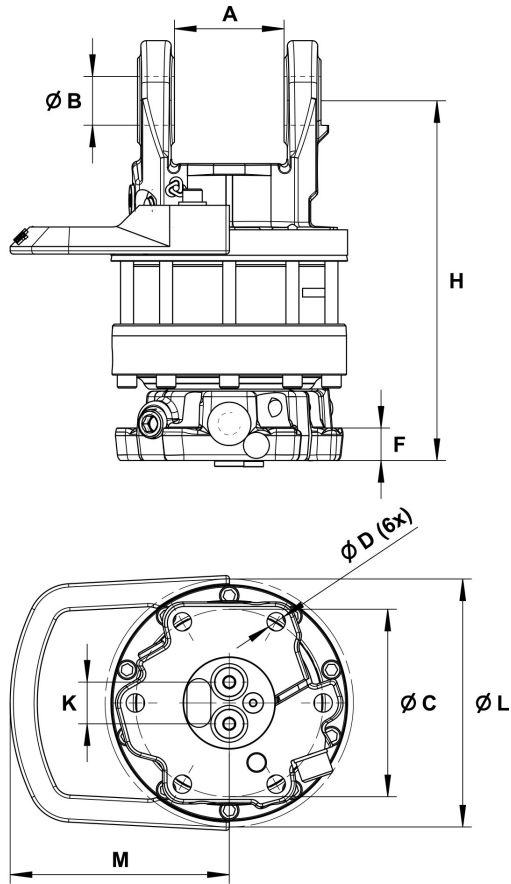
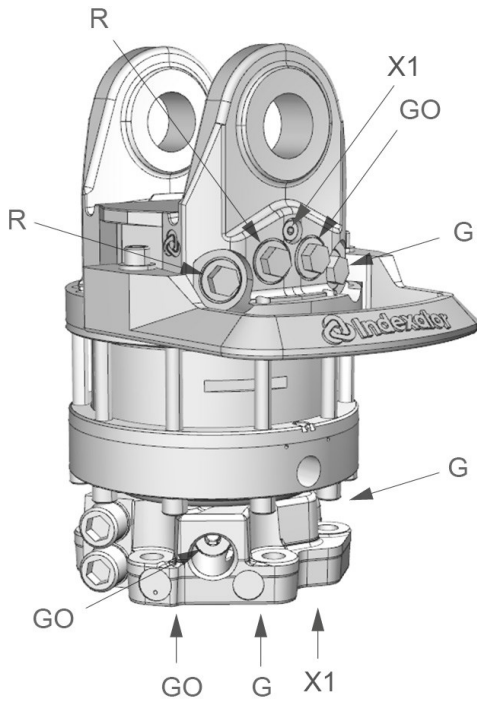


GV 12S C

Part No.: 5212280

- Central lubrication



| Upper connection | Lower connection | Upper | Lower |
|------------------|------------------|--------------|--------------|
| G 1/2 | G 1/2 | X1: G 1/8 | X1: G 1/4 |

| | | | | | | | | |
|--------------|--------------|---------------|--------------|-------------|--------------|---------------|---------------|--------------|
| A: 101 mm | B: Ø45 mm | C: Ø173 mm | D: Ø17 mm | F: 30 mm | H: 333 mm | K: 38,5 mm | L: Ø229 mm | M: 202 mm |
|--------------|--------------|---------------|--------------|-------------|--------------|---------------|---------------|--------------|

| | | | | | | | | | |
|-------|------|---------|---------|---------|----------|---------|---------|---------|---------|
| | | Max | Max | | Max | Max | Max | Max | Max |
| 57 kg | 360° | 100 kN | 50 kN | 2200 Nm | 25 l/min | 25 MPa | 25 MPa | 25 MPa | 10 MPa |

Adapter sets are available for alternative connections.

For further technical information relating to integration and hydraulic connections, please contact rotator@indexator.com