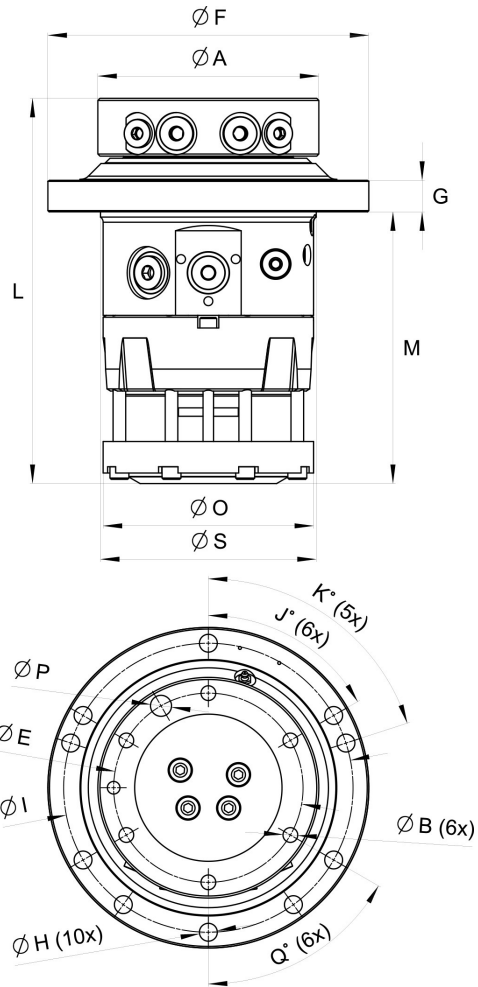
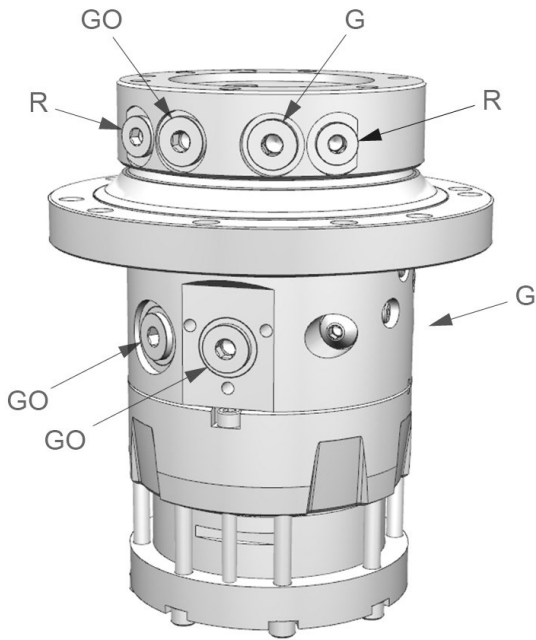


IR 10 HPL M16

Part No.: 8000670



Upper		Lower		
G G0:	R:	G:	G0:	G0:
G 3/4	G 1/2	G 3/4	G 3/4	G 3/4

A:	B:	E:	F:	G:	H:	I:	J:	K:	L:	M:	O:	P:	Q:
Ø210 mm	M16	Ø180 mm	Ø305 mm	30 mm	Ø17 mm	Ø275 mm	60°	72°	367 mm	259 mm	Ø200 mm	Ø20 mm	60°
S:													
Ø205 mm													

81 kg	360°	±250 kN	±70 kN	2100 Nm	25 l/min	19 MPa	28 MPa	28 MPa	28 MPa

Pressure limiting valves fitted.

For further technical information relating to integration and hydraulic connections, please contact rotator@indexator.com