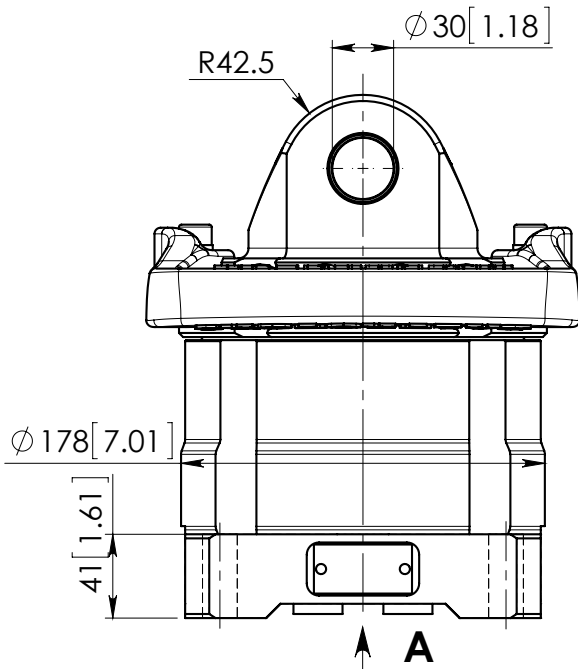
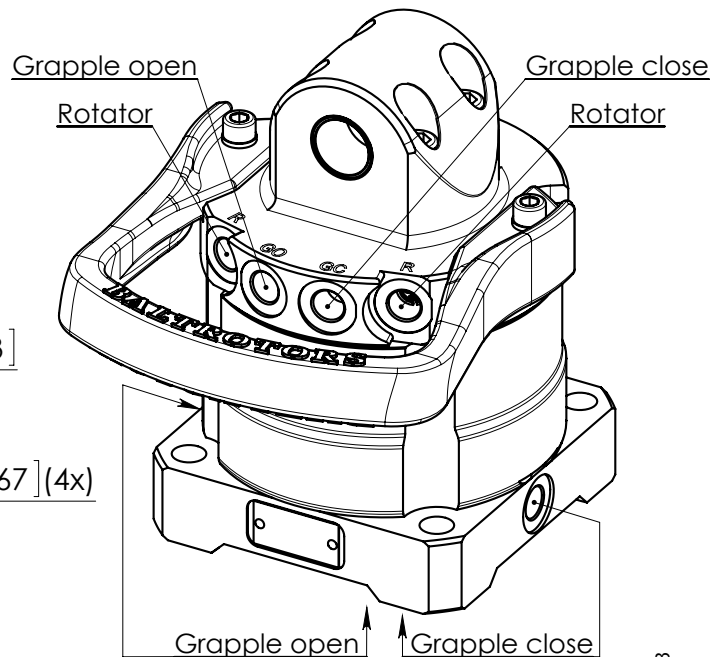
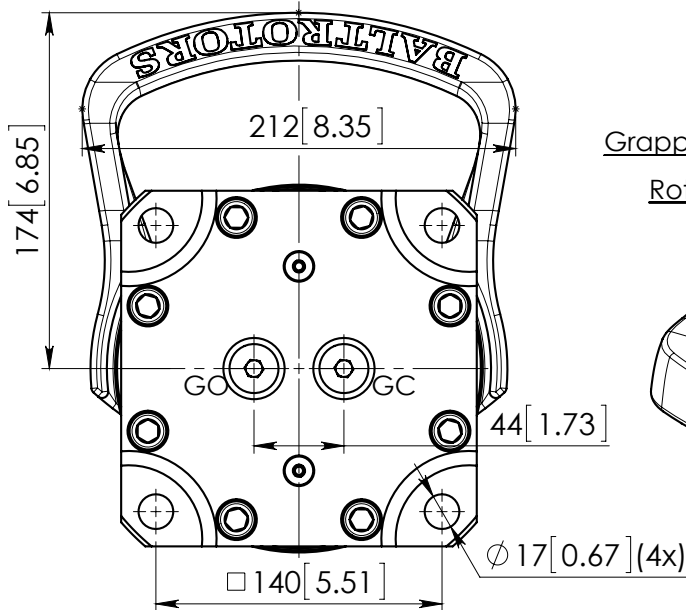
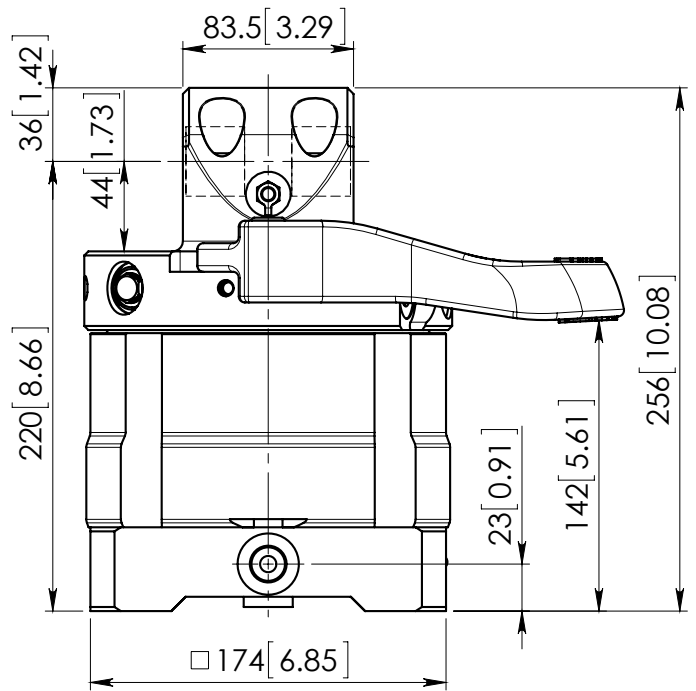


ROTATOR GPRA5



VIEW A



Technical data

Rotation	Unlimited
Max axial load	50 KN (11240 lbf)
Torque at 25 Mpa (3625 psi)	1100 Nm (811 lb ft)
Rated displacement	325 cm ³ /rev. (20 in ³ /rev.)
Rotation speed	max 20 rpm
Oil duct area for grapple	50 mm ² (0.078 in ²)
Weight	36 kg (79 lb)

Function	Max working pressure	Rec oilflow	Connection
R - rotation	25 MPa (3625 psi)*	9 l/min (2.4 gal(US)/min)	M 18x1.5
GO - grapple/tool open	35 MPa (5076 psi)		M 18x1.5
GC - grapple/tool close	35 MPa (5076 psi)		M 18x1.5

* Relief valves fitted

Sheet 1 of 3

05.09.2014