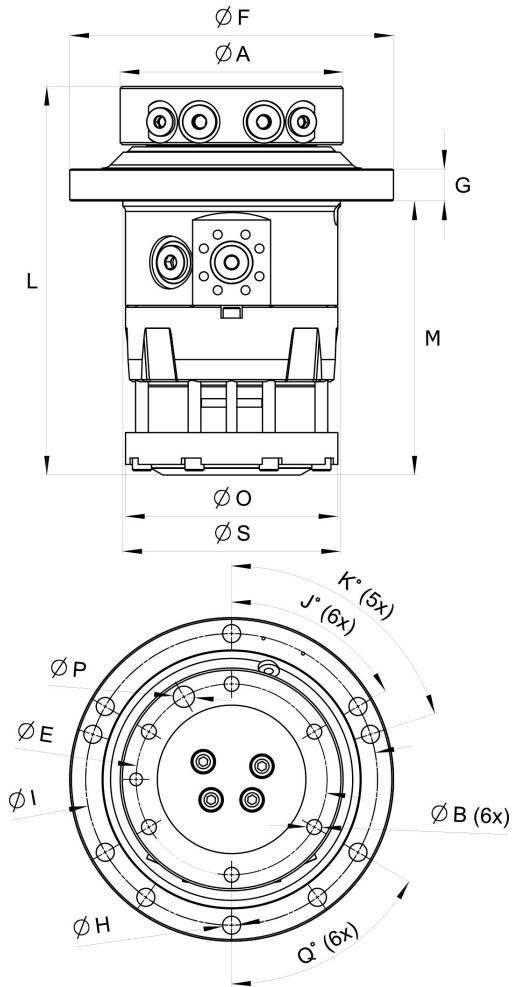
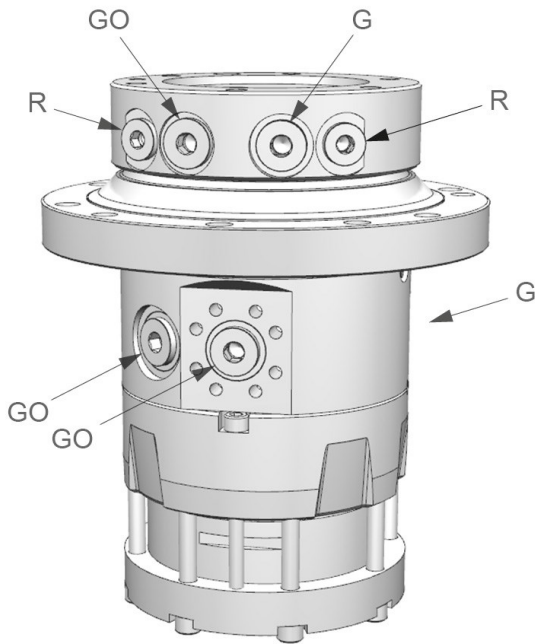


IR 10 M16

Part No.: 8000307



Upper		Lower		
G GO: G 3/4	R: G 1/2	G: SAE 3000 DN 25 / G 3/4	GO: SAE 3000 DN 25 / G 3/4	GO: G 3/4

A: Ø210 mm	B: M16	D: 0 mm	E: Ø180 mm	F: Ø305 mm	G: 30 mm	H: Ø17 mm	I: Ø275 mm	J: 60°	K: 72°	L: 367 mm	M: 259 mm	O: Ø200 mm	P: Ø20 mm
Q: 60°	S: Ø205 mm												

81.4 kg	360°	±250 kN	±70 kN	2100 Nm	25 l/min	19 MPa	35 MPa	35 MPa	35 MPa

Pressure limiting valves fitted in the motor.

For further technical information relating to integration and hydraulic connections, please contact rotator@indexator.com