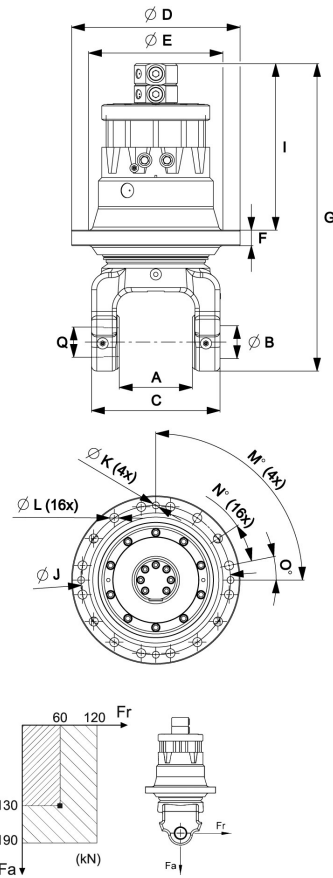
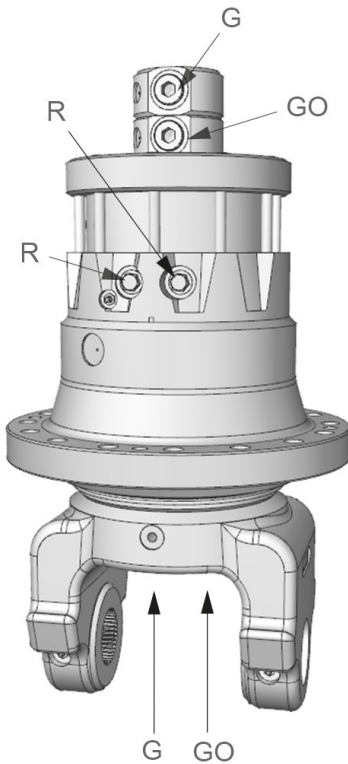


# SR 210B

Part No.: 8000935



- Maximum dynamic load.
- Maximum combined load.
- Maximum peak load. (maximum 4% of working time).

Upper connection	Lower connection	Lower
1 1/16"-12 UNF	1 1/16"-12 UNF	R: 9/16"-18 UNF

A: 168,9 mm	B: Ø76,2 mm	C: 297,5 mm	D: Ø390 mm	E: Ø311,5 mm	F: 36 mm	G: 712 mm	I: 386 mm	J: Ø346 mm	K: Ø16 mm	L: Ø21 mm	M: 90°	N: 22,5°	O: 11,3°
Q: Splines pitch 16/32													

198 kg	360°	±190 kN <sup>1</sup>	±130 kN <sup>1</sup>	4100 Nm	35 l/min	25 MPa	25 MPa	25 MPa

<sup>1</sup> See chart on the dimensional drawing.

For further technical information relating to integration and hydraulic connections, please contact [rotator@indexator.com](mailto:rotator@indexator.com)