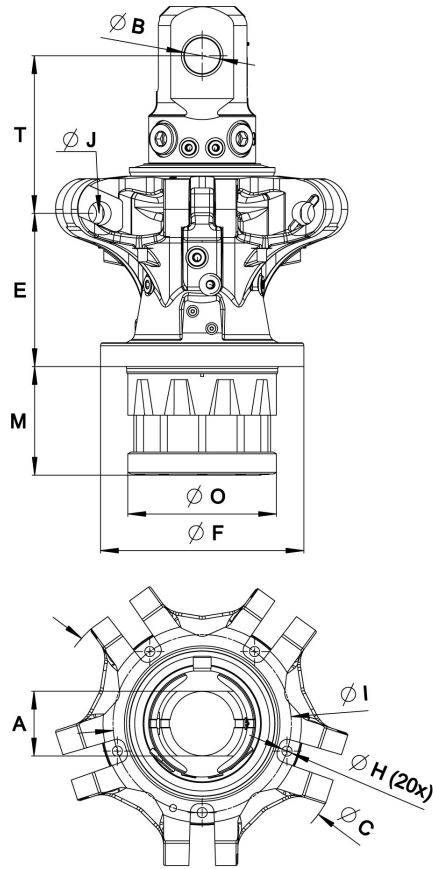
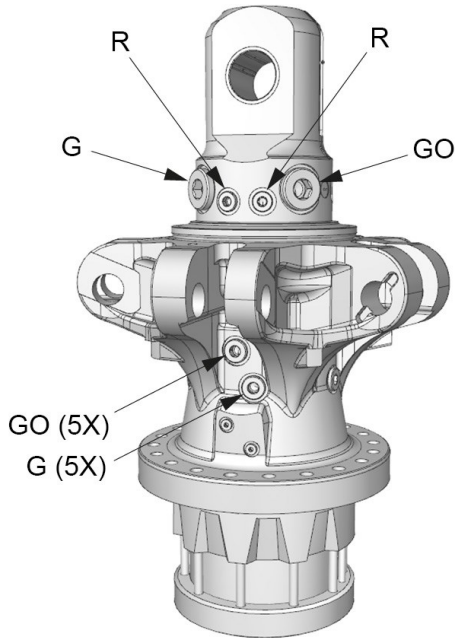











IR 25

Part No.: 8000980



Upper		Lower	
G GO: M33 x 2,0	R: M16 x 1,5	G: M22 x 1,5 (x5)	GO: M22 x 1,5 (x5)

A: 109 mm	B: Ø60 mm	C: Ø495 mm	E: 258 mm	F: Ø342 mm	H: Ø17 mm	I: Ø300 mm	J: Ø40 mm	M: 190 mm	O: Ø250 mm	T: 265,5 mm
--------------	--------------	---------------	--------------	---------------	--------------	---------------	--------------	--------------	---------------	----------------

								
226 kg	360°	±450 kN	±200 kN	4100 Nm	35 l/min	25 MPa	35 MPa	35 MPa

Pressure limiting valves fitted in the motor.

For further technical information relating to integration and hydraulic connections, please contact rotator@indexator.com